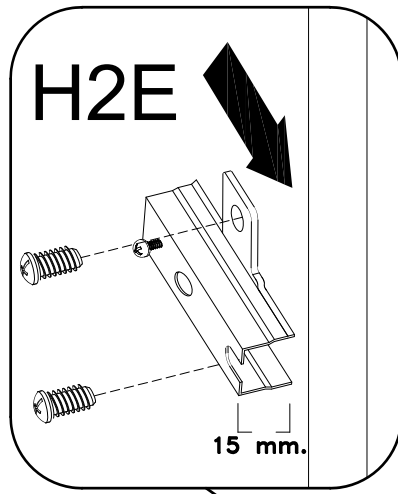
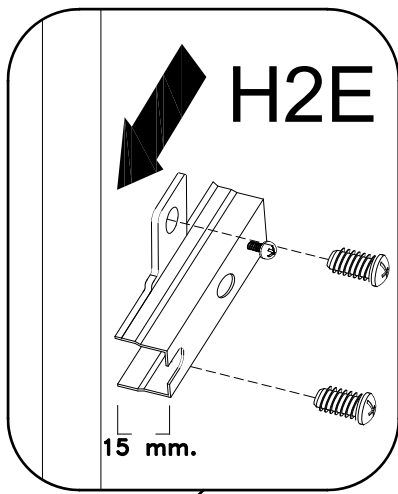


A		L430 x20	 4x30 mm.	x5						
B	 8x30 mm.	L427 x12	 4x27 mm.	x5						
C	 ø15 mm.	P		x4						
D		x6 R		x12						
E	 7x60 mm.	x6	T9	x5						
L418	 4x18 mm.	x6	ø9 mm.	x5						
		T20	ø20 mm.	x6						
		x2	PST	x1						
BB		x10	<table border="1"> <tr> <td data-bbox="606 1825 718 1892">F21</td> <td data-bbox="821 1825 1013 1870">205124-06PIE</td> </tr> <tr> <td data-bbox="606 1915 718 1982">Ø 60 mm h 20 mm</td> <td data-bbox="758 1859 893 1960"></td> </tr> <tr> <td></td> <td data-bbox="941 1926 1013 1982">x5</td> </tr> </table>		F21	205124-06PIE	Ø 60 mm h 20 mm			x5
F21	205124-06PIE									
Ø 60 mm h 20 mm										
	x5									

H2E	 209008-08CC	x6
C0		x6
L15	 4x15 mm.	x12

1

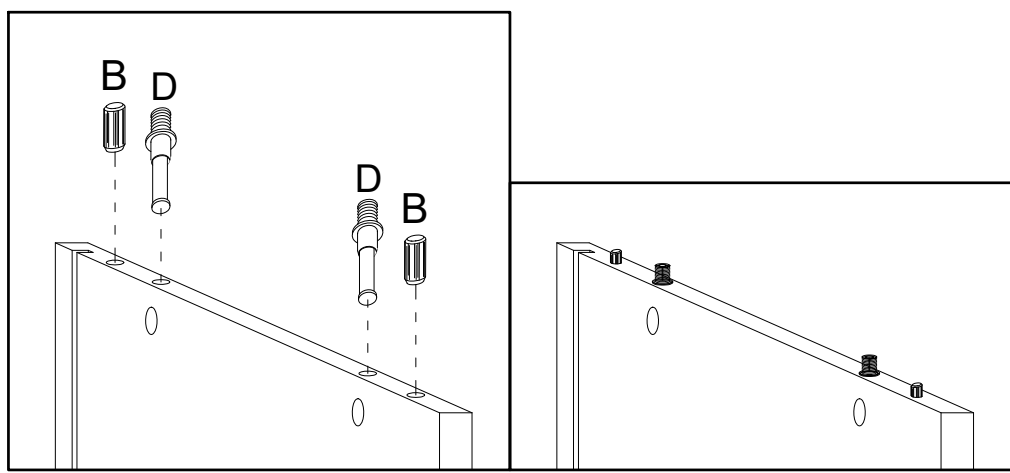
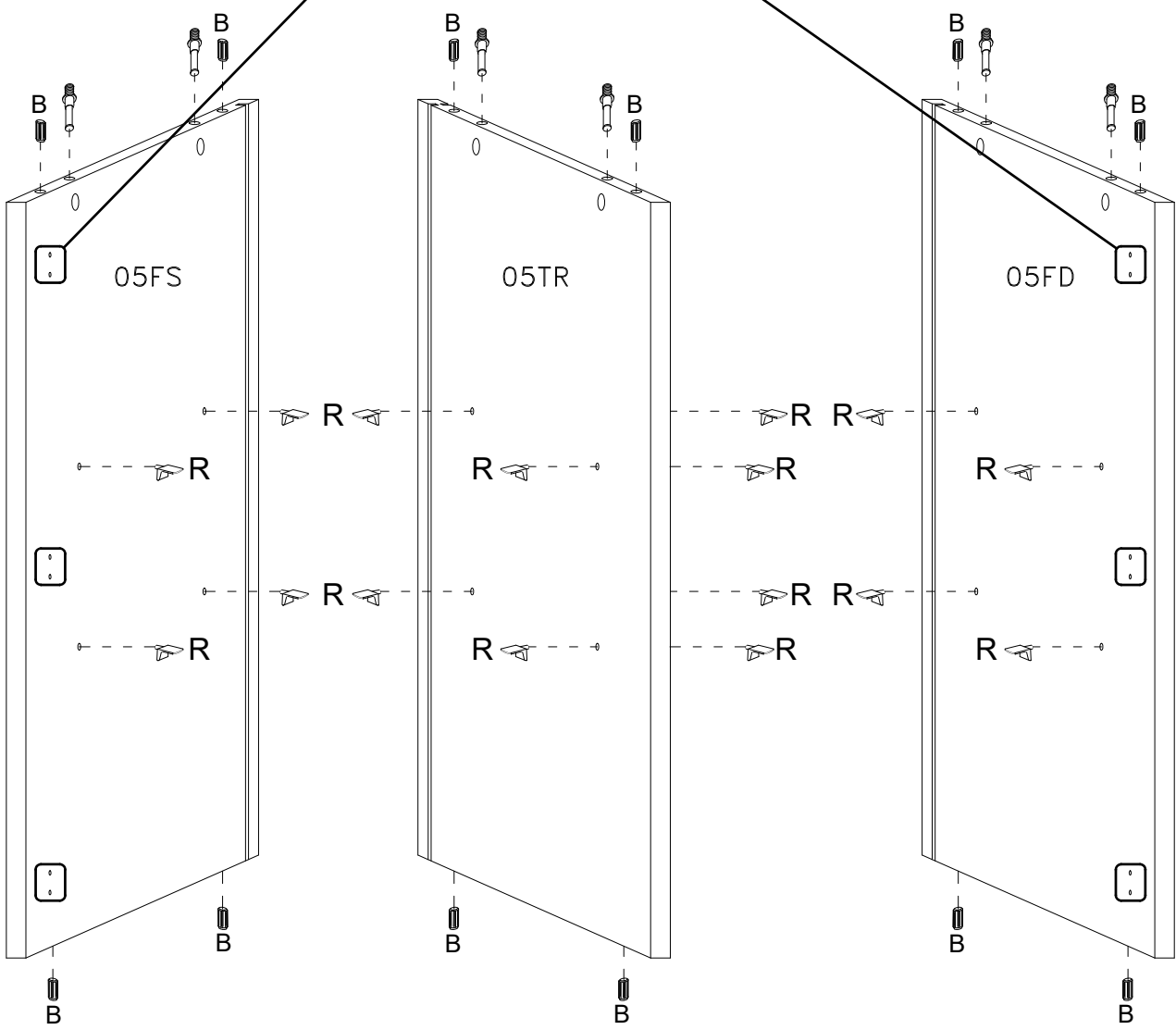


B 8x30 mm. x16

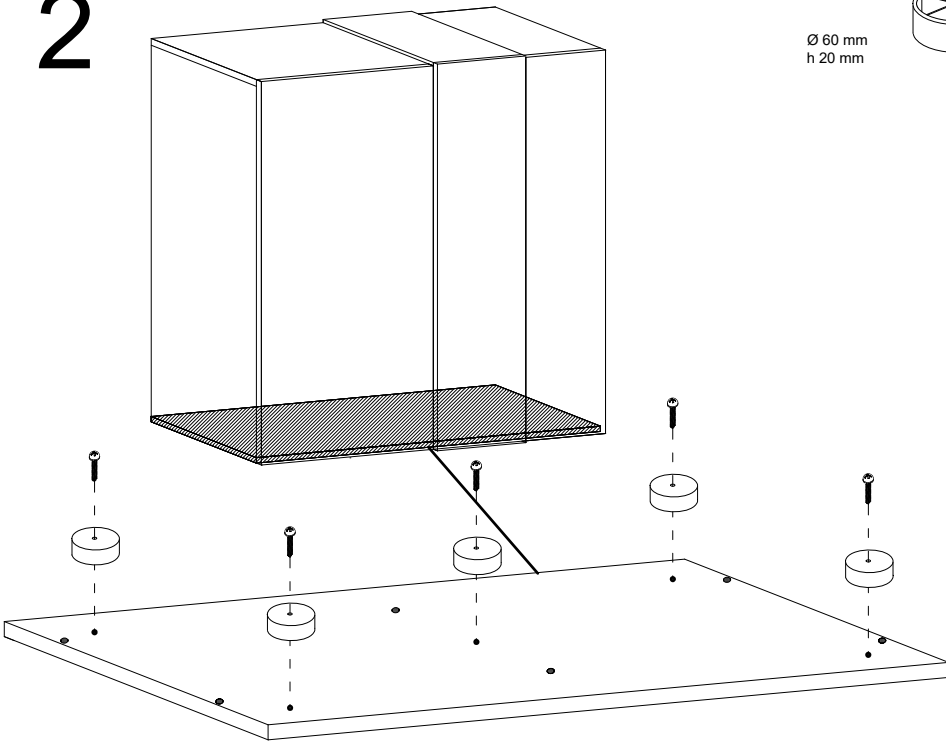
D x6

H2E 15 mm. x6

R x16



2



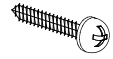
F21

Ø 60 mm
h 20 mm



x5

L427



4x27 mm.

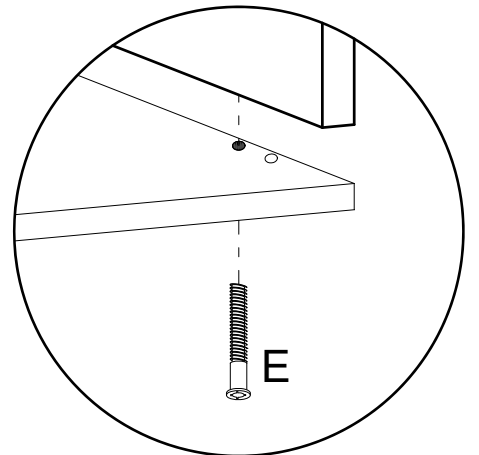
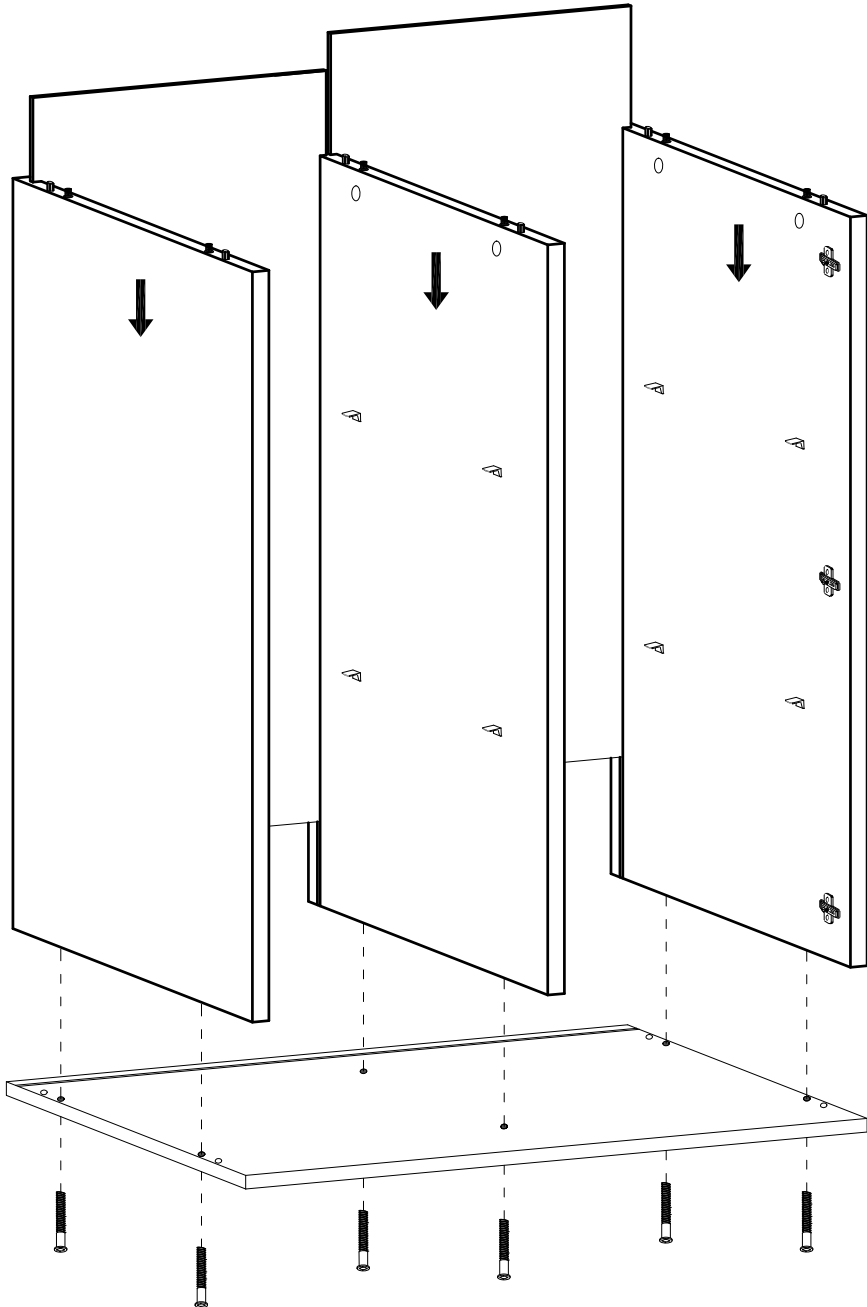
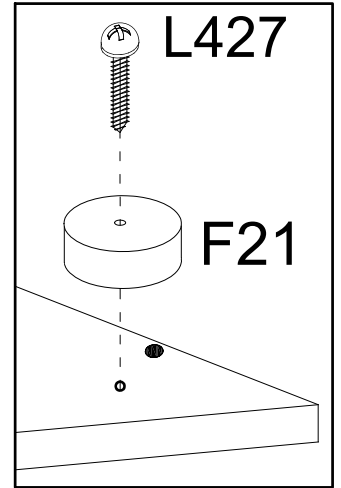
x5

E

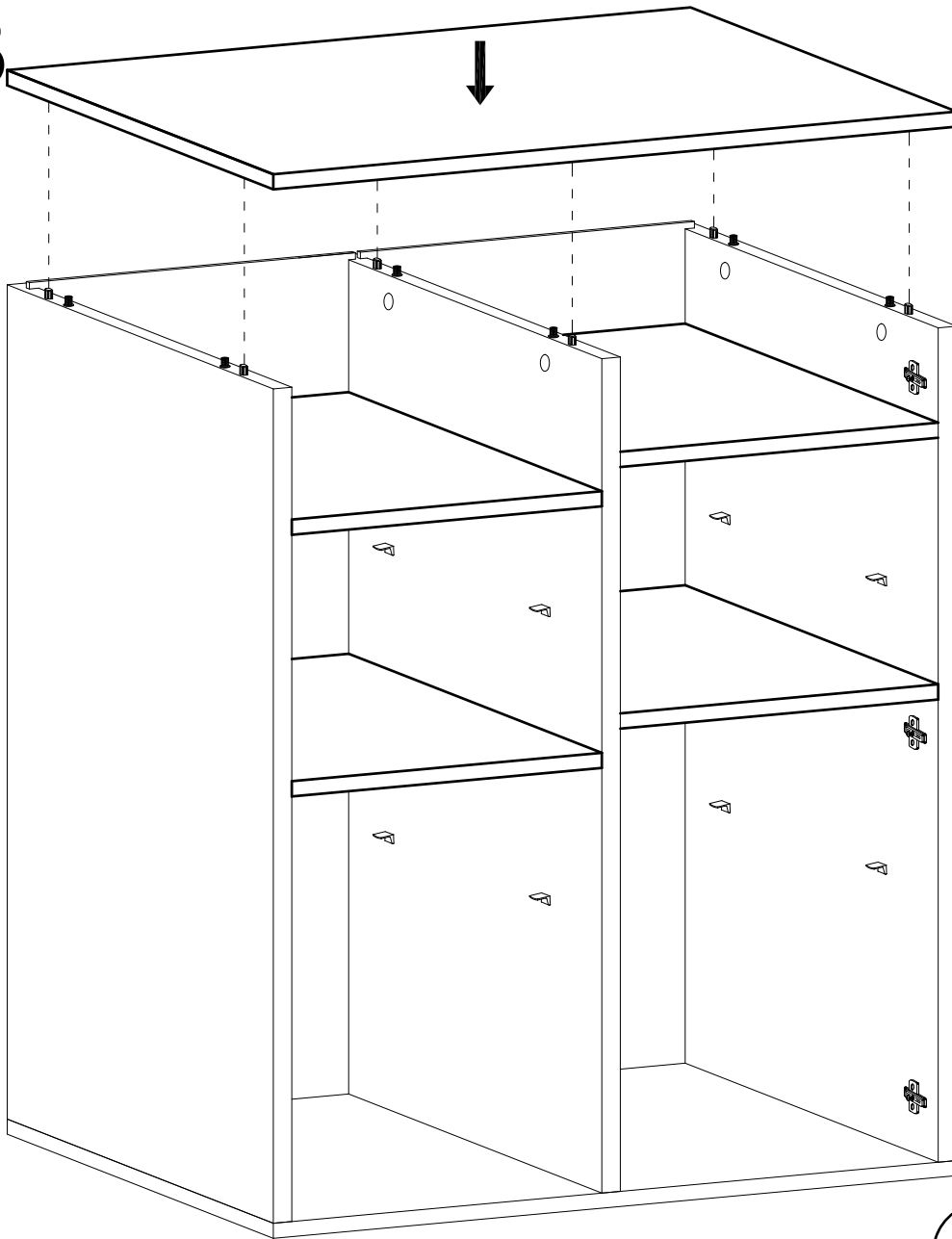


7x60 mm.

x6



3

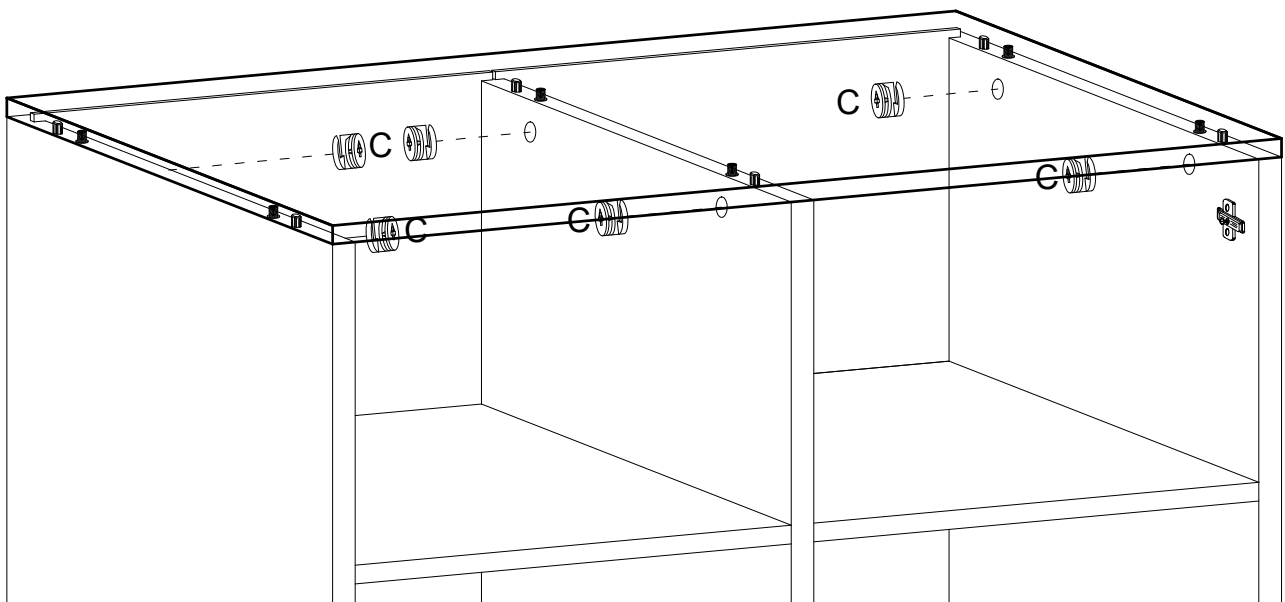
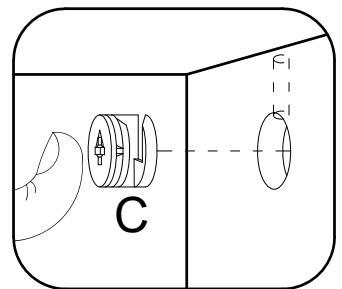


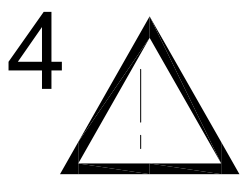
C



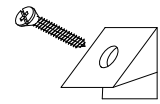
∅15 x 12 mm

x6

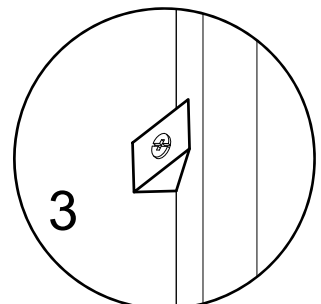
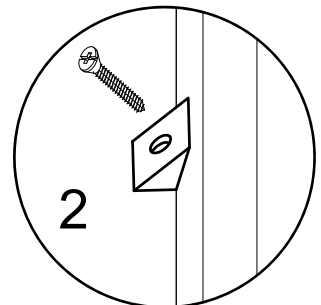
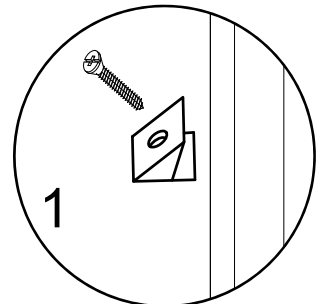
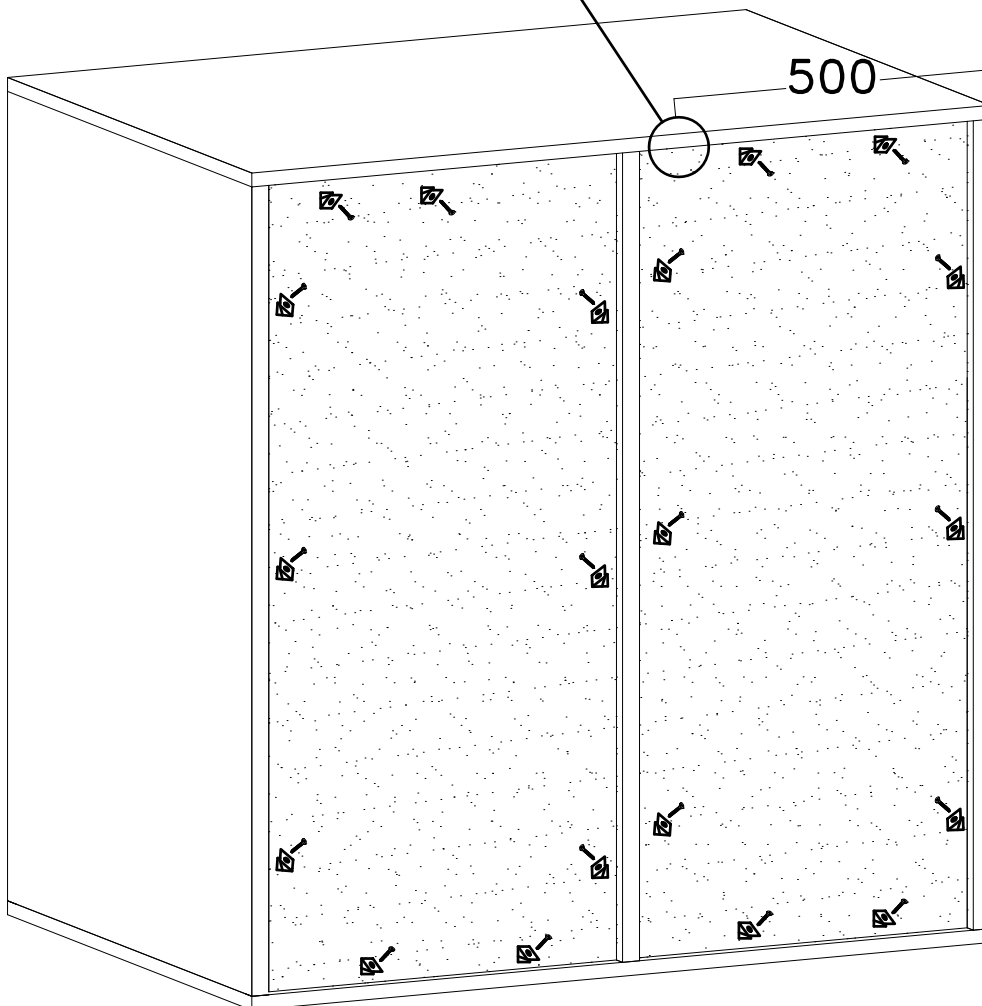
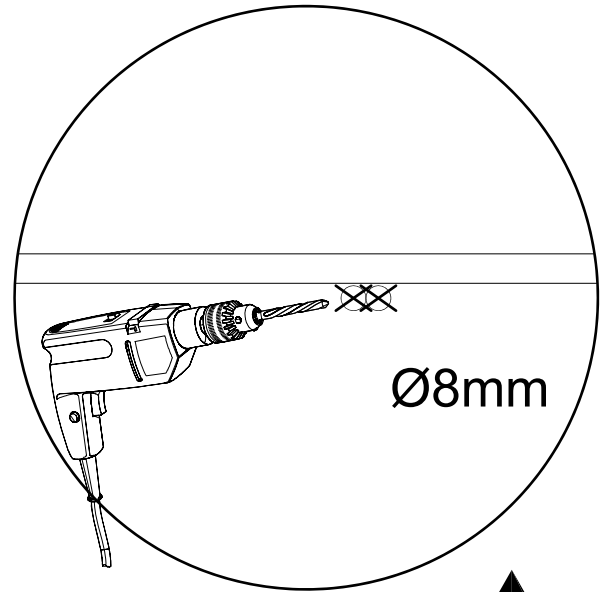
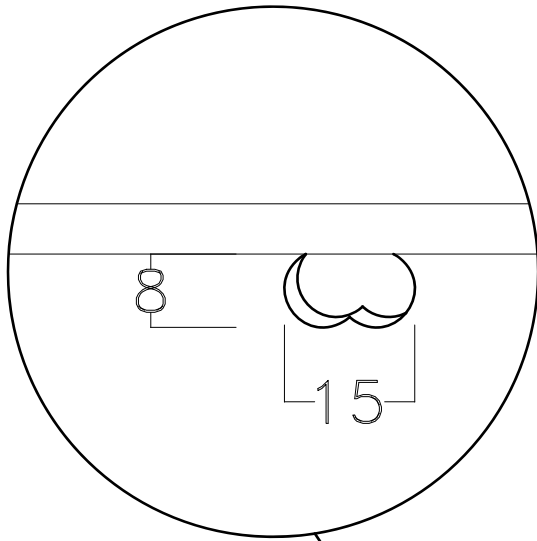




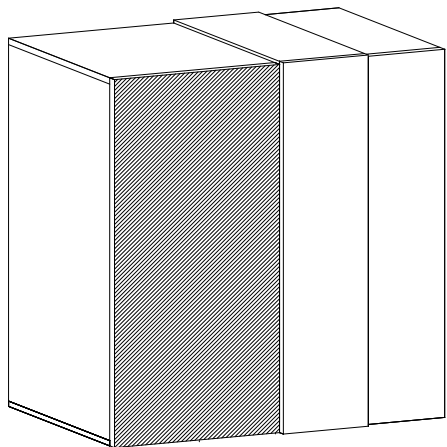
F



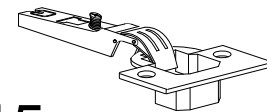
x20



5



C0



x3

L15



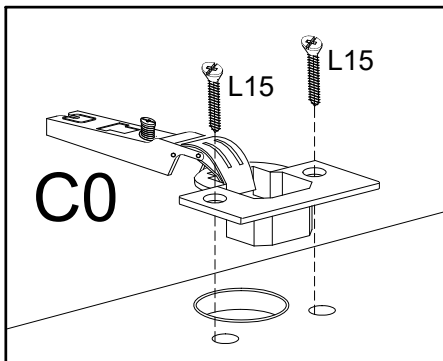
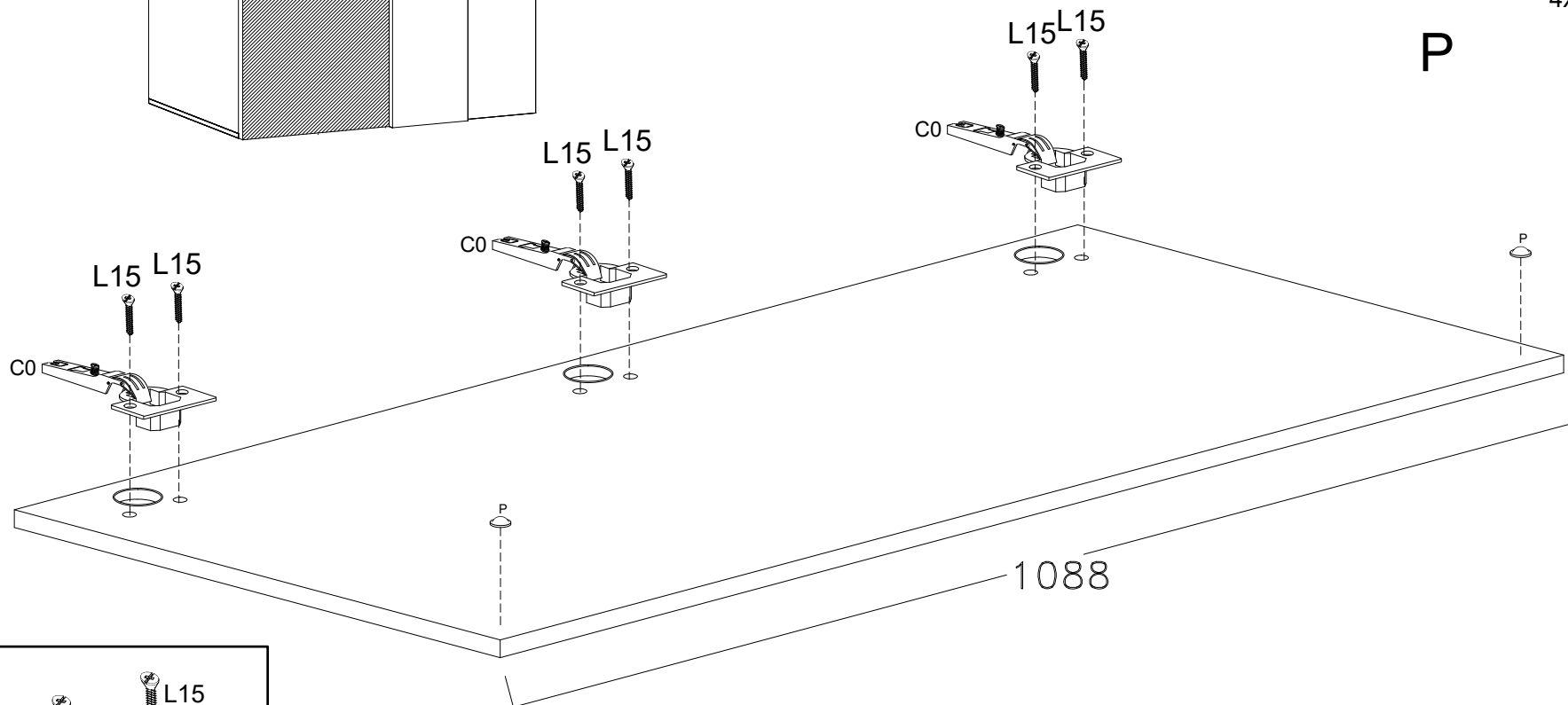
x6

4x15 mm.

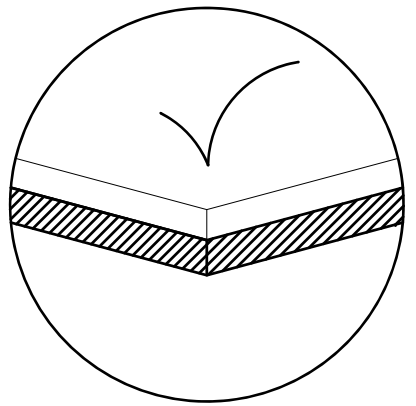
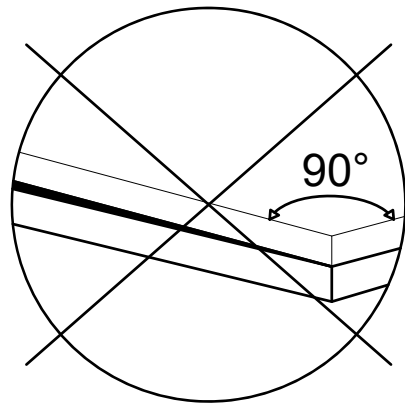
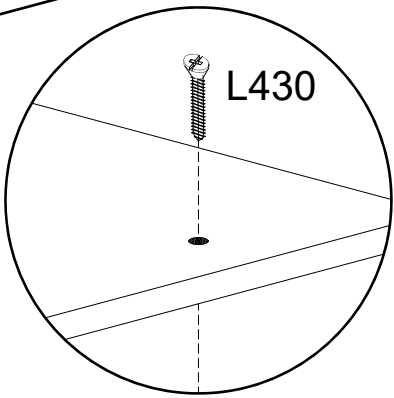
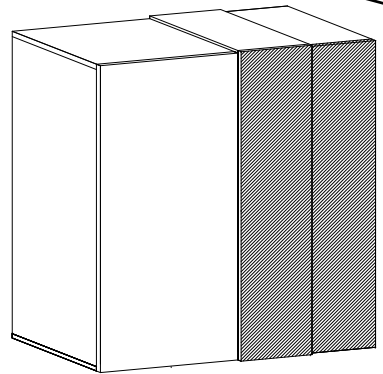
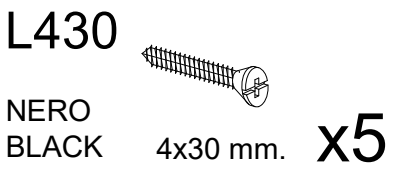
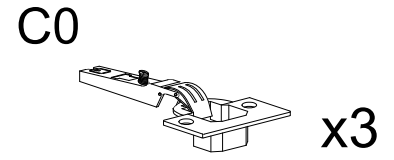
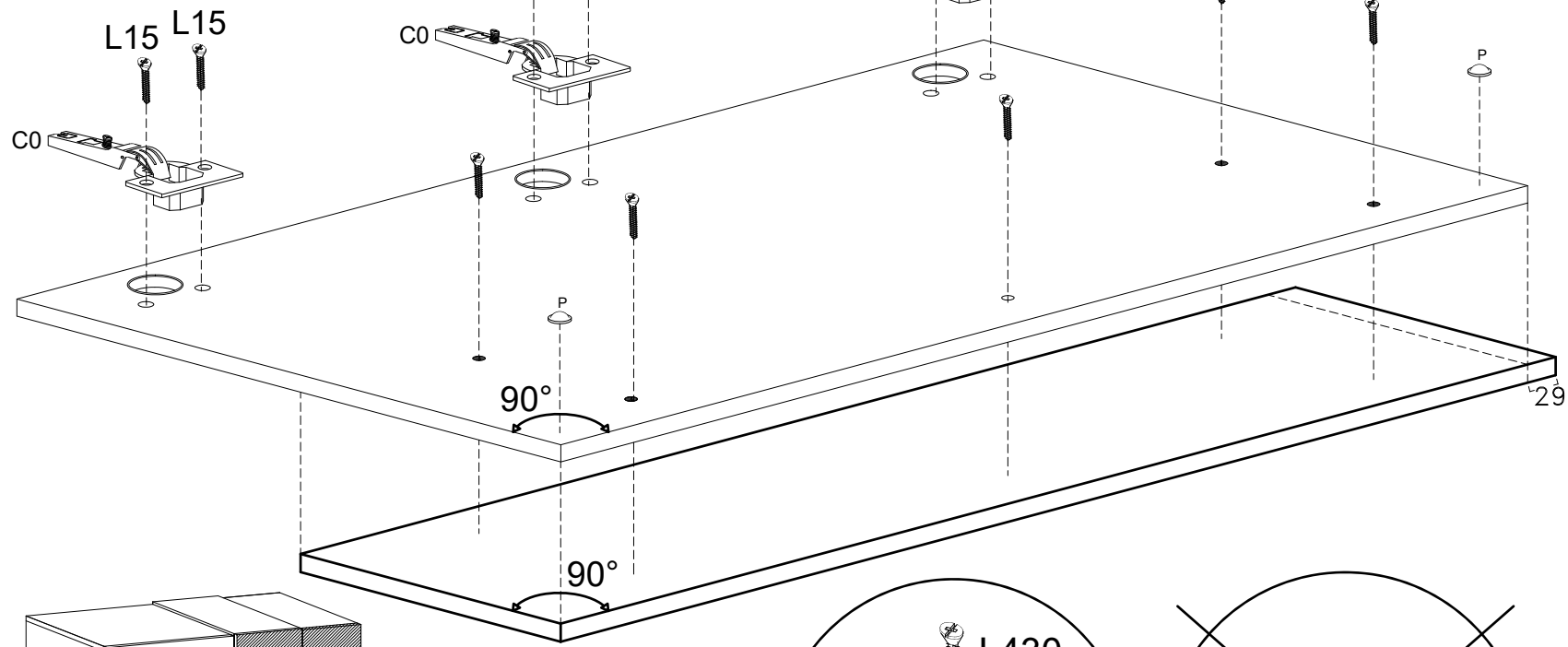
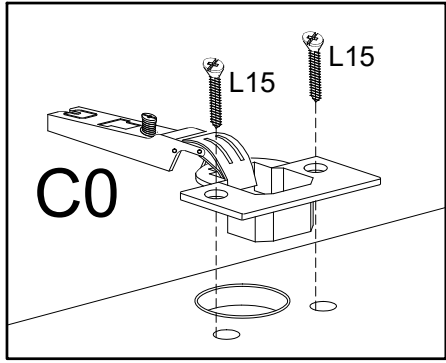
P



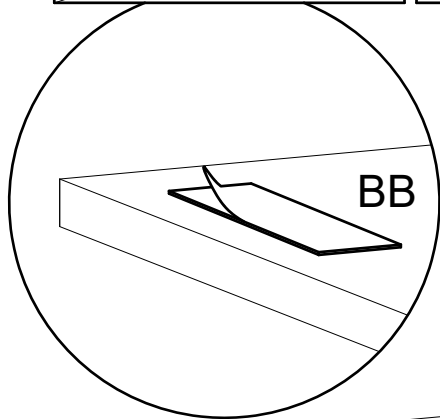
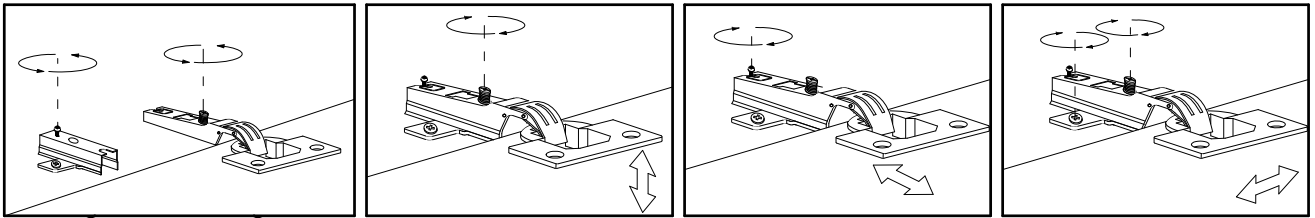
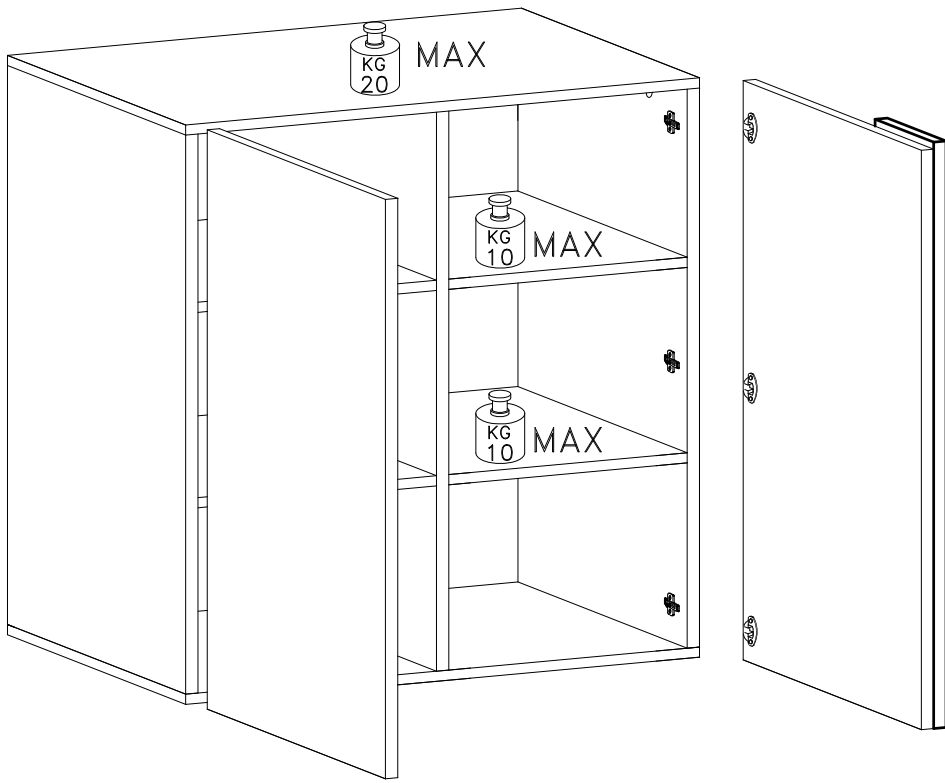
x2



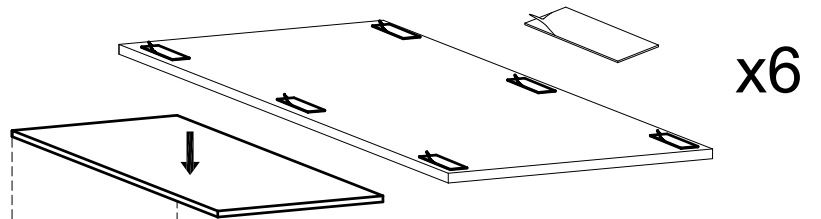
6



7



BB



x6

